



BZ-2RD-A2



Actual product appearance may vary.

BZ Series Standard Basic Switch, Single Pole Double Throw Circuitry, 15 A at 125 Vac, Overtravel Plunger Actuator, 2,5 N - 3,61 N [9 oz -13 oz] Operating Force, Silver Contacts, Screw Termination, CE, CSA, DEMKO, U

Features

- Accepted world-wide standard "Large Basic" switch
- Low operating force and differential travel
- Long mechanical life up to 20,000,000 cycles at 95% survival
- Elongated mounting hole for easier, more accurate mounting
- Current rating ranges from 15 A to 25 A
- Choice of actuation, termination and operating characteristics

Potential Applications

- Irrigation systems
- Semi-trailer trucks
- Timing devices
- Office equipment
- Test instruments
- Medical/dental equipment
- HVAC equipment
- Manually operated devices
- Valves

Description

MICRO SWITCH™ BZ/BA Series standard basic switches are used for simple or precision on/off application needs.

Product Specifications	
Switch Type	MICRO SWITCH™ Standard 25,4 mm H x 17,8 mm W x 50,8 mm L [1.0 in H x 0.7 in W x 2.0 in L]
Sealed	No
Ampere Rating	15 A
Circuitry	Single Pole Double Throw (SPDT)
Actuator	Overtravel Plunger
Termination	Screw
Operating Temperature Range	-55 °C to 85 °C [-67 °F to 185 °F]
Voltage	125 Vac
Approvals	DEMKO,CE,CSA,UL

Contact Type	Silver
Operating Force (O.F.)	2,5 N - 3,61 N [9.0 oz - 13.0 oz]
Release Force (R.F.)	1,11 N [4.0 oz] min.
Pretravel (P.T.)	0,38 mm [0.015 in] max.
Overtravel (O.T.)	1,52 mm [0.060 in] min.
Differential Travel (D.T.)	0,01 mm - 0,05 mm [0.0004 in - 0.0020 in]
Operating Position (O.P.)	21,21 mm \pm 0,51 mm [0.835 in \pm 0.020 in]
Material	Plastic
Housing Material	General Purpose Phenolic
High Temperature	204 °C [400 °F]
CE mark	61058-1
UL File #	E12252
CSA File #	LR41370
Agency Approvals and Standards	1054
Mounting Screw Size	3,53 mm [0.139 in]
Mounting Centers	25,4 mm [1 in]
Maximum Tightening Torque	0,33 N m [3.0 in lb]
Weight	28,6 g [0.063 lb]
Package Height	24,1 mm [0.95 in]
Package Width	17,5 mm [0.69 in]
Package Length	49,3 mm [1.94 in]
Recommended For	Added overtravel, for manual operation and slow 20 ° max. cam rise
Availability	Global
UNSPSC Code	30211905
UNSPSC Commodity	30211905 Snap switches
Series Name	BZ/BA/WA/YZ



MICRO SWITCH

FREEPORT, ILLINOIS, U.S.A.
A DIVISION OF HONEYWELL

FED. MFG. CODE 91829

SWITCH - BASIC

CATALOG LISTING

BZ-2RD-A2

AHD1000

REPLACES

BZ-2RD-A2

PAGE 1 OF 1

RELEASE NO.

DRAWING NUMBER

7

ISSUE

REVISIONS

A	CO17410	6 CH	15 MAY 63
B	CO-73287-B	DHD	17 MAY 93
C	CO-77589	KDR	29 MAR 94
D	CO93346	DLT	8 SEP 98
E	0015139	TSG	23 AUG 05

CHECK

23 AUG 05

RJ

17 JUN 63

L.S.D

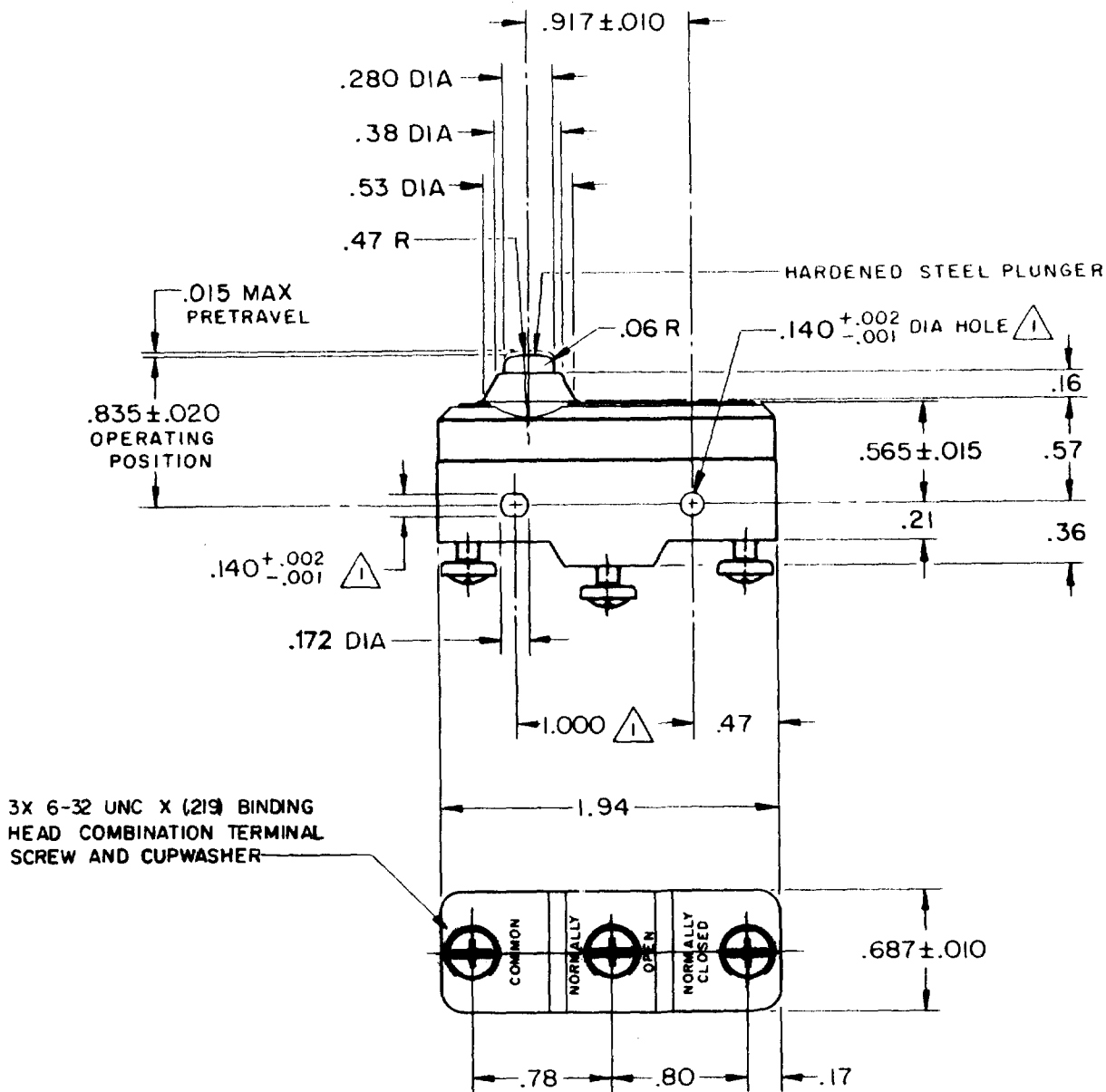
FORMTEK

FO-50378

DRAWN

G C H

15 MAY 63



NOTE
 ▲ MOUNTING HOLES WILL ACCEPT PINS OR SCREWS OF .139 MAX DIA ON 1.000 ± .002 CENTERS

THIS DRAWING COVERS A PROPRIETARY ITEM AND IS THE PROPERTY OF MICRO SWITCH, A DIVISION OF MINNEAPOLIS-HONEYWELL REGULATOR CO. THIS DRAWING IS NOT TO BE COPIED OR USED WITHOUT THE APPROVAL OF MICRO SWITCH.

CHARACTERISTICS	ELECTRICAL DATA	SCALE FULL
OPERATING FORCE ----- 9-13 OZ	CONTACT ARRANGEMENT S P D T	DO NOT SCALE PRINT
RELEASE FORCE ----- 4 OZ MIN	L96 15A 125, 250 OR 480 VAC 1/8HP 125 VAC, 1/4HP 250 VAC 1/2A 125 VDC, 1/4A 250 VDC	UNLESS OTHERWISE NOTED DIMENSIONS ARE IN INCHES TOLERANCES ARE:
DIFFERENTIAL TRAVEL ----- .0004-.0020	-L288- -L306- -L315-	ONE PLACE (.0) ±.030 TWO PLACE (.00) ±.015 THREE PLACE (.000) ±.005 ANGLES ±
OVERTRAVEL ----- .060 MIN	CE EN 05 EC T85 5E4	WEIGHT .064 LB